



The world's greatest yachts deserve the industry's best power generation systems. But properly loading your generator set can be a challenge. The increasing size and popularity of bow thrusters, zero-speed stabilizers and other popular gear - to say nothing of increasing vessel size - can lead to power management issues. When large AC consumers are not online, it can result in smoke, soot and lower overall efficiency.

The solution - Northern Lights Automatic Load Banks. By supplying supplemental electrical load, **Northern Lights Load Banks ensure the generator's optimal performance.**

Our **load bank system monitors each leg of power.** When the ship's power usage fluctuates the system adds or sheds kW's based on your pre-set parameters.

Northern Lights Load Banks come with a **standard programmable load controller (PLC) on a touch screen monitor.** You can **easily set kilowatt limits and make future adjustments if required.**

Like all Northern Lights products, our load banks are **built with the finest, marine-class materials, and designed to our industry renowned engineering standards.**

Ensure your electrical system continues to provide the **clean, clear and comfortable power you deserve - add a Northern Lights Automatic Load Bank.**

# STANDARD FEATURES

- Fresh water cooled heater element module

- Marine grade aluminum housing with stainless steel base



- Cupronickel heat transfer coil. No zinc required

- Two part polyurethane gloss white paint

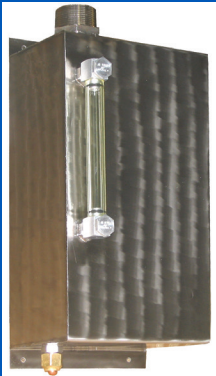


- Safety Shutdowns:

- High temperature in control cabinet
- High temperature heater tank
- Water flow

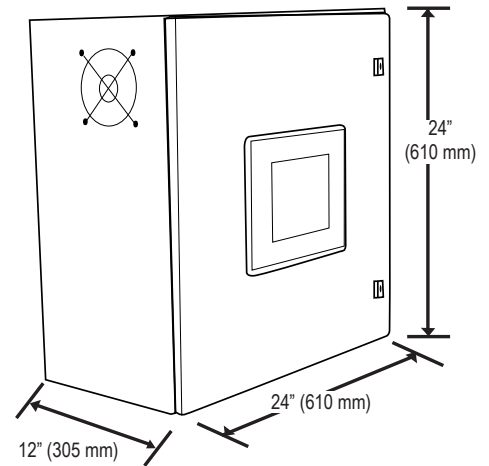


- Heavy duty raw water and fresh water circulation pumps
- Stainless steel expansion tank with sight glass
- Load tested at factory
- Operator's and installation manuals

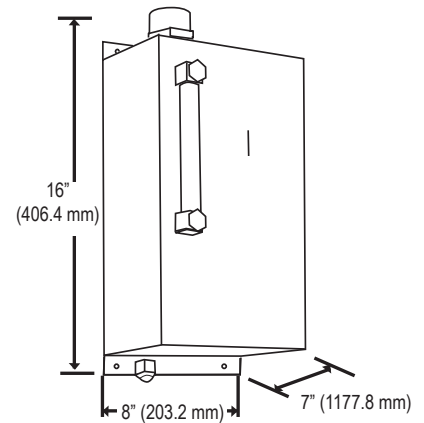


# DIMENSIONAL DRAWINGS

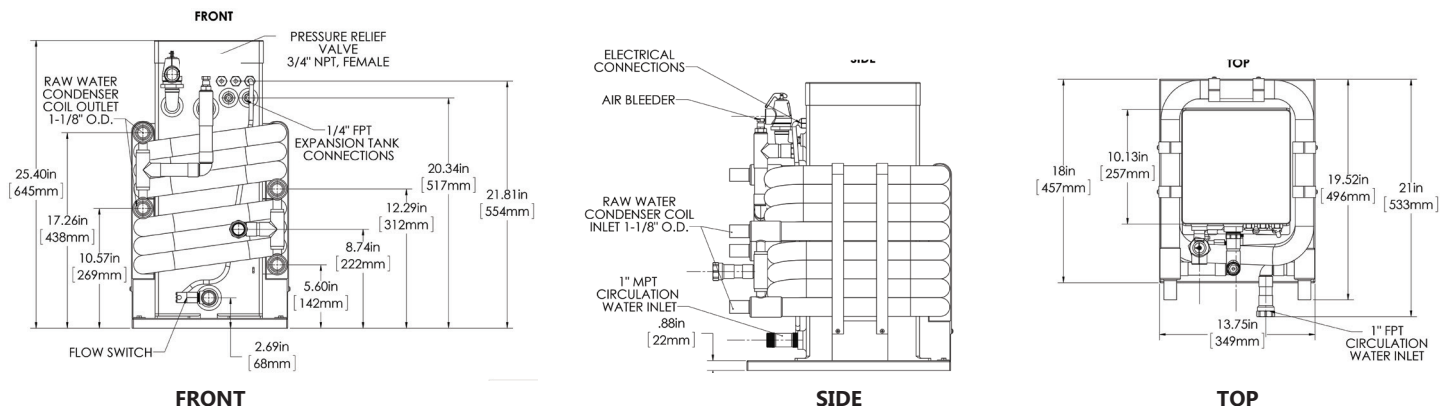
## PLC Control Panel



## Standard Expansion Tank

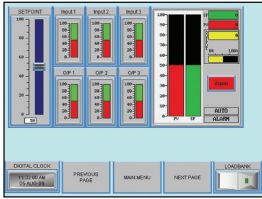


# LOAD BANK HEATER TRANSFER MODULE

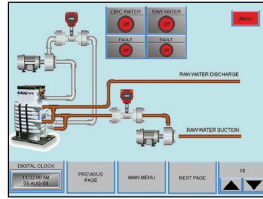


## PUT CONTROL AT YOUR FINGERTIPS

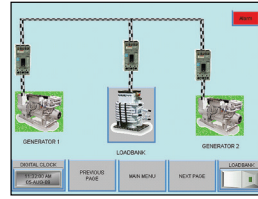
The Automatic Load Bank System is designed to be easily programmed and monitored.



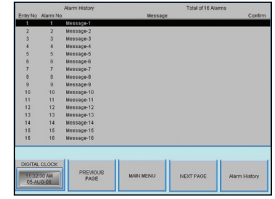
Set and monitor load parameters



View fresh and raw water flow



View multiple generator sets simultaneously



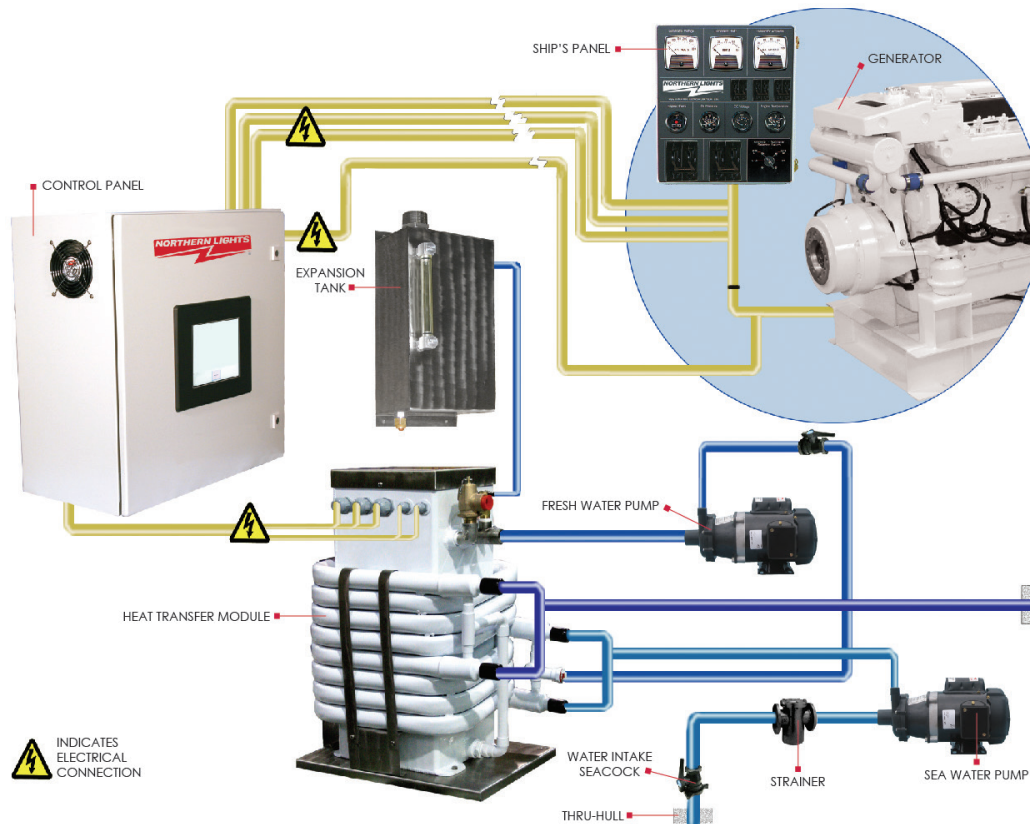
Set customized alarms to ensure safe and efficient load management

## HOW WE ENSURE A PROPER LOAD EVERY TIME

Northern Lights' Automatic Load Bank is composed of two primary parts - the Controller and the fresh water cooled Heat Transfer Module.

The Controller monitors power on each leg of the generator set's output. With three basic sizes - 24, 36 and 48 kW, the variable output management allows incremental load balancing. No other load bank permits this level of accuracy.

The Heat Transfer Module protects the system through heat exchanged water.



Many more options are available - consult your factory representative.